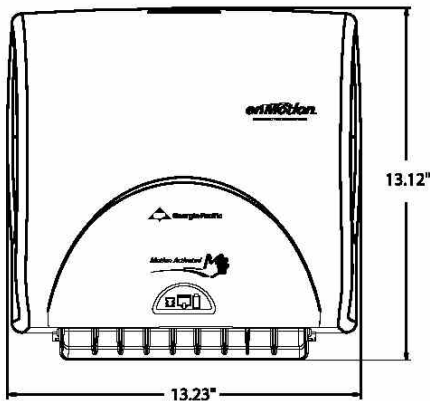
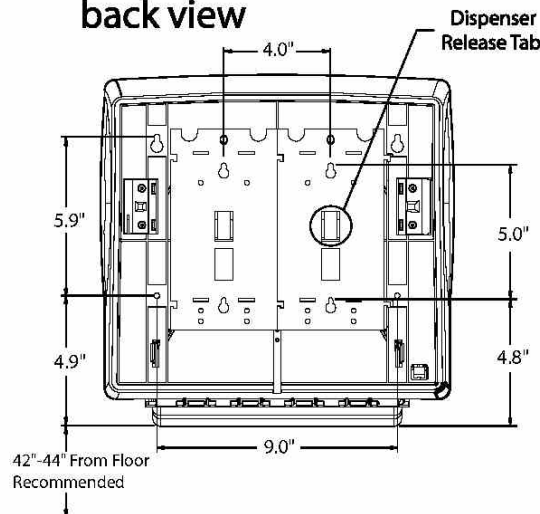


enMotion® Impulse™ 8 Automated Towel Dispenser

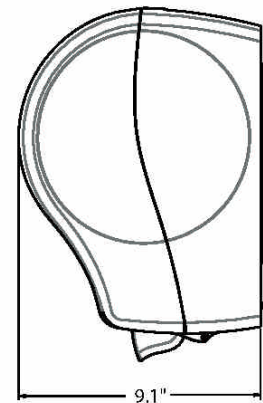
front view



back view



side view



The installation description and illustration herein are to serve as a guide. Georgia-Pacific reserves the right and does from time to time make changes and improvements in design, dimensions and subsequent installation instructions. Georgia-Pacific does not take responsibility for any damage, or injury to persons or property or any other incidental or consequential losses due to these installation instructions.

SPECIFICATIONS

The cover and back housing are constructed of plastic.

Weight:

6.5 Pounds (without batteries or paper installed)

Dimensions:

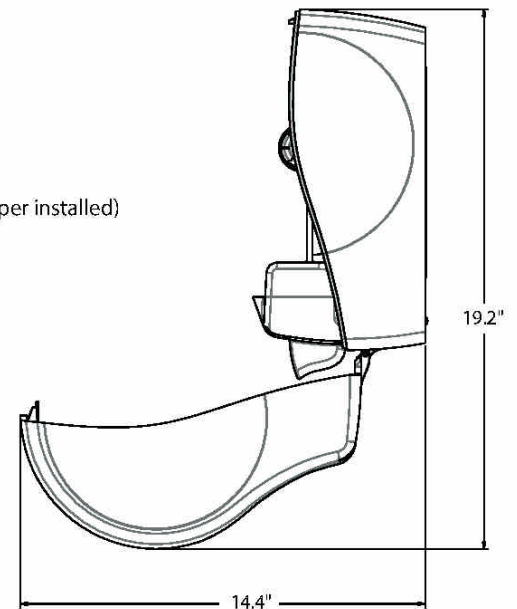
13.12"H x 13.23"W x 9.50"D

OPERATION

The Automated Towel dispenser runs on three D Cell alkaline batteries (included). The dispenser features three LEDs, from left to right, a low paper indicator, a motor/sensor activation light and a low battery light. It has two dispensing modes: an on-demand, where a new sheet is presented when a hand is waved in front of the sensor, and a hanging towel mode, where a new towel is dispensed as soon as a towel is removed from the dispenser. The dispenser also features adjustable settings for paper length and sheet delay. For more details, see the enMotion® Impulse™ 8 Automated Towel dispenser instruction manual included with the unit.

INSTALLATION

When mounted directly into a wall, the unit is mounted using #10 self-tapping screws. Many possible methods can be used to mount the dispenser, given the wide variety of stud configurations behind the wall. The enMotion® Impulse™ 8 Automated Towel dispenser has mounting holes on both sides of the backplate and directly in the rear of the unit.



side view - cover open

For questions or comments, please call

1-866-HELLO GP (435-5647)

or visit our website at www.gp.com/awayfromhome