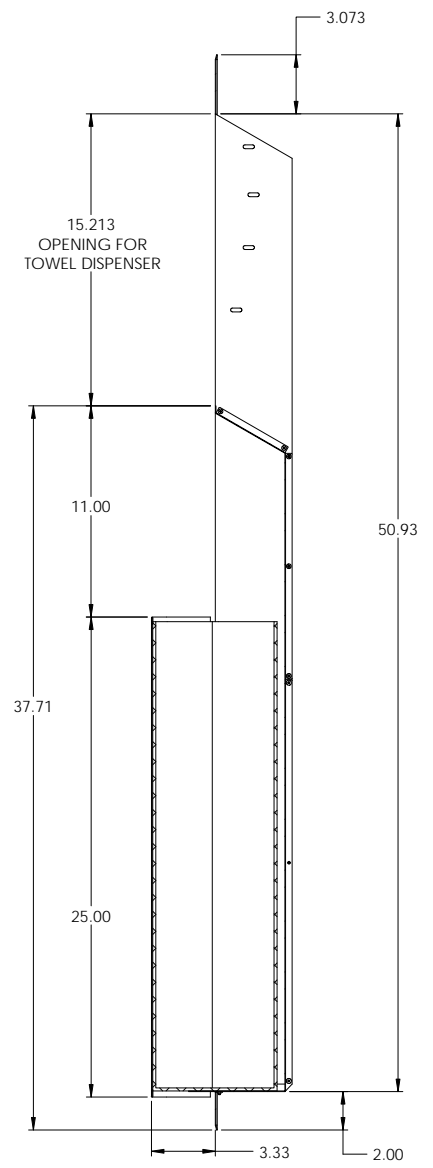
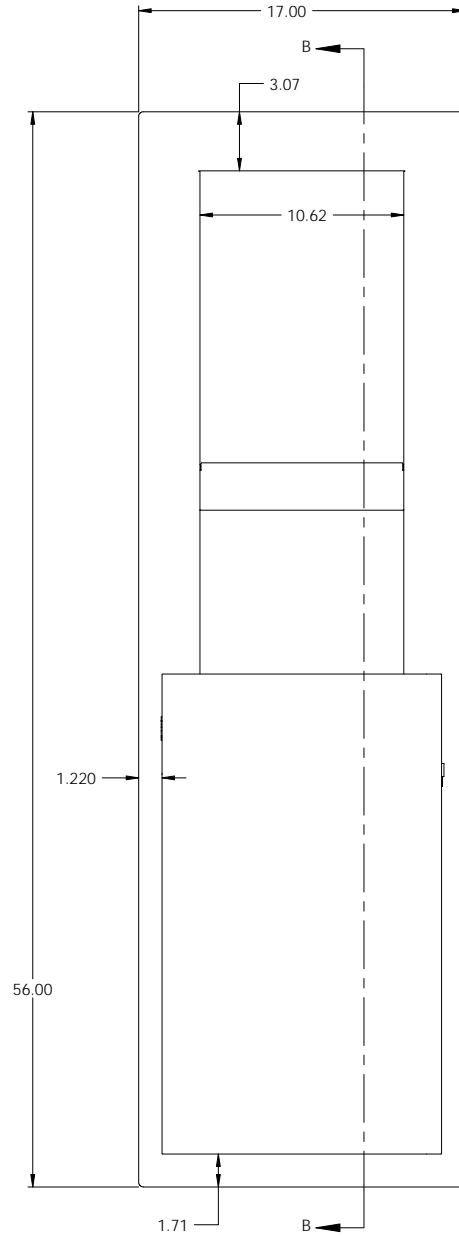
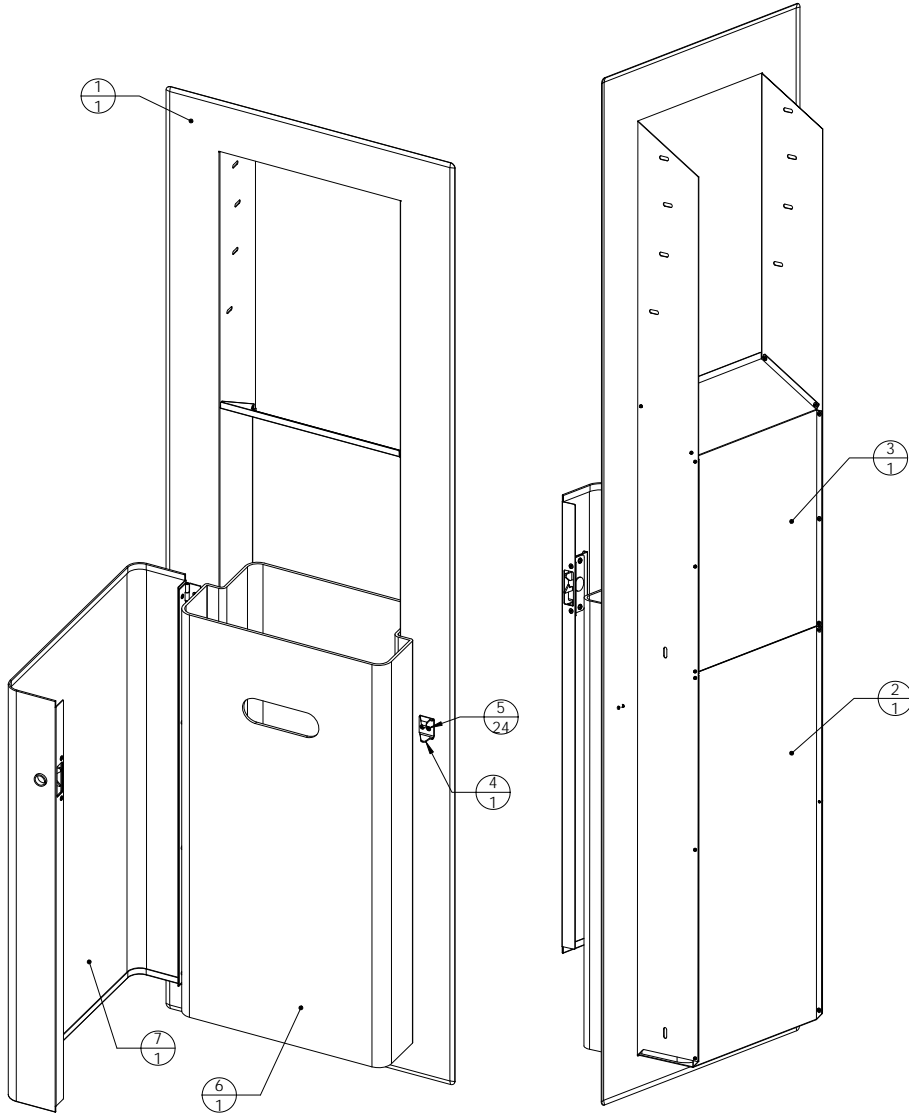


| ITEM NO. | PART NUMBER | DESCRIPTION | Collapse d/QT. |
|----------|-------------|----------------|-------------------|
| 1 | 59451-101 | FRAME | 1 |
| 2 | 59451-102 | BAFFLE, BOTTOM | 1 |
| 3 | 59451-104 | BAFFLE, TOP | 1 |
| 4 | 59451-107 | BRACKET, CATCH | 1 |
| 5 | SSD-42-SSBS | RIVET | 24 |
| 6 | 59451-105 | CAN | 1 |
| 7 | 59451-103 | DOOR AS. | 1 |



SECTION B-B
SCALE 1 : 5

ASSEMBLY NOTES

1. ASSEMBLE BOTTOM AND TOP BAFFLE TO FRAME AND RIVET
2. ASSEMBLE DOOR HINGE TO FRAME AND RIVET.
3. INSPECT DOOR ALIGNMENT; OPEN AND CLOSE DOOR MULTIPLE TIMES TO CHECK FOR ANY INTERFERENCE. ADJUST AS NECESSARY.
4. INSTALL TRASH CAN AND SHUT DOOR
5. ERECT PACKAGING; INSTALL UNIT INTO PACKAGING
6. LABEL BOX WITH GP STYLE LABEL; STACK BOXES ON SPECIAL GP SKID STACK IN TWO ROWS; 9 BOXES TALL; SHRINK WRAP BOXES AS NECESSARY

• CONSTRUCTION MOUNTING HOLE MIN SUGGESTED SIZE 53 X 11

| | | | | | |
|-----------------------------|---------|-------------|----------|------|--|
| UNLESS OTHERWISE SPECIFIED: | | INCH | NAME | DATE | GEORGIA PACIFIC <small>REBRAND BY PRINCE IND. INC.</small> |
| TOLERANCES | MODEL | MMc | 1/7/2010 | | |
| ALL DIMENSION SHOWN ARE REF | DRAWING | MMc | 3/2/2010 | | |
| MATERIALS | | CHECKED | | | TITLE |
| SEE BOM | | | | | ADA DISPENSER, TOWEL, ENMOTION |
| | | | | | PART NO |
| | | | | | 59451 |
| | | | | | REV |
| | | | | | - |
| | | | | | WEIGHT: 24.715 LBS |
| | | | | | SCALE: 1:12 |
| | | | | | SLDWRKS DRW |
| | | | | | SHEET 1 OF 1 |