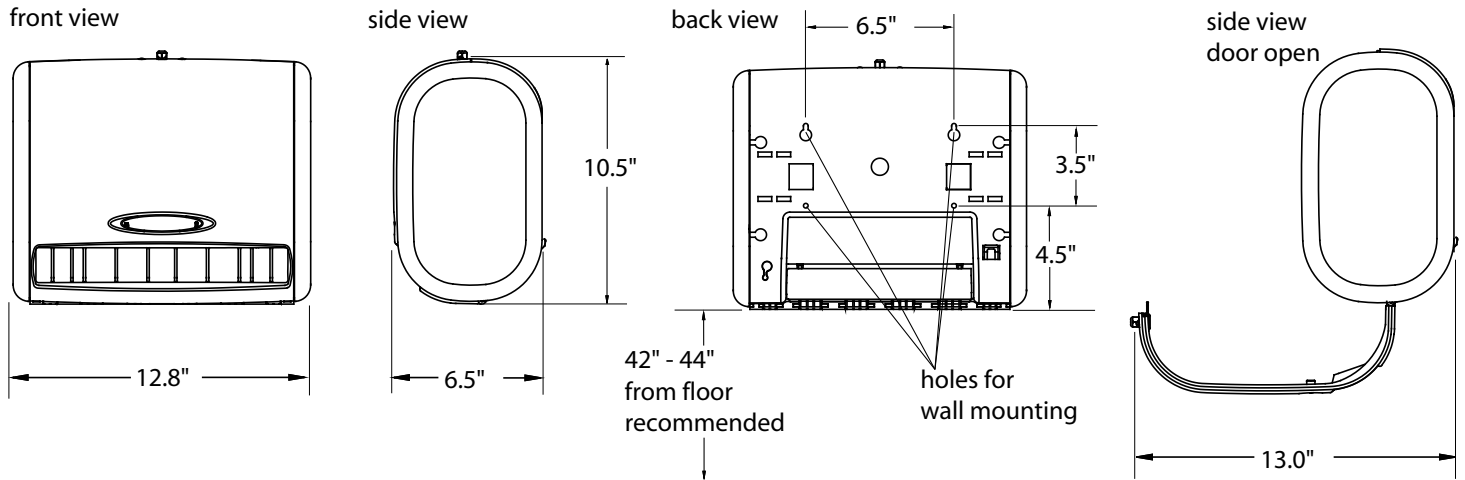


SofPull® Automated Towel Dispenser



LOADING INSTRUCTIONS

To load the batteries, locate the compartment in the bottom of the dispenser. Remove the battery compartment cover by sliding the cover in the direction of the arrows to unlock. Then place the batteries inside the compartment according to the battery diagrams. Replace battery compartment cover and slide in the direction of the arrows to lock. Three red lights will appear on the dispenser sensor when batteries are properly loaded.

To load the paper towels, place the roll on the roll holder supports with the paper feeding from underneath the roll. Push the end of the paper in between the two feed rollers. Press the blue manual feed button and the paper will load. Close the dispenser cover.

OPERATION

This Sofpull® dispenser will only function properly if the correct Sofpull® towel is placed in the dispenser.

The dispenser runs on four D-cell alkaline batteries (included) and has a low battery indicator light.

The dispenser features two dispensing modes: an on demand mode, where a new towel is presented when a hand is waved in front of the sensor; and a hanging towel mode, where a new towel is dispensed as soon as the current towel is removed from the dispenser.

The dispenser also features adjustable settings for paper length (S,M,L) and time delay, which is the amount of time between dispenses.

INSTALLATION

Position the dispenser so there is room to access the lock and open the cover. Mark the holes on the wall. Drill holes for appropriate wall anchors and screws. Tighten screws to attach the dispenser to the wall.

IMPORTANT SAFETY INSTRUCTIONS

When using an electrical furnishing, basic precautions should always be followed, including the following:

Read all instructions before using the towel dispensing system.

DANGER – To reduce the risk of electric shock:

1. Always unplug this furnishing from the electrical outlet before cleaning.

WARNING – To reduce the risk of burns, fire, electrical shock, or injury to persons:

1. Unplug from outlet before putting on or taking off parts.
2. Close supervision is necessary when this furnishing is used by, or near children, invalids, or disabled persons.
3. Use this furnishing only for its intended use as described in these instructions. Do not use attachments not recommended by the manufacturer.
4. Never operate this furnishing if it has a damaged cord or plug, if it is not working properly, if it has been dropped or damaged, or dropped into water. Return the furnishing to a service center for examination and repair.
5. Keep the cord away from heated surfaces.
6. Never operate the furnishing with the air openings blocked. Keep the air openings free of lint, hair and the like.
7. Never drop or insert any object into any opening.
8. Do not use outdoors.
9. Do not operate where aerosol (spray) products are being used or where oxygen is being administered.
10. Do not mix old and new batteries.
11. Do not mix non rechargeable and rechargeable batteries.

SPECIFICATIONS

The cover and back housing are constructed of plastic.

WEIGHT

4.94 lbs (without batteries or paper installed)

DIMENSIONS

10.5"H x 12.8"W x 6.5"D

The installation description and illustration herein are to serve as a guide. Georgia-Pacific reserves the right and does from time to time make changes and improvements in design, dimensions and subsequent installation instructions. Georgia-Pacific does not take responsibility for any damage, or injury to persons or property or any other incidental or consequential losses due to these installation instructions.

For questions or comments, please call
1-866-HELLO GP (435-5647)