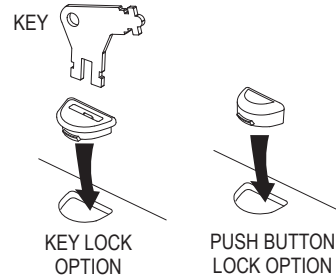


A. Package Contents

- | | |
|-------------------|-------------------------------|
| Dispenser | Push button lock insert |
| Mounting bracket | Key lock insert |
| (2) Adhesive tape | Key |
| Alcohol pad | (4) D size alkaline batteries |

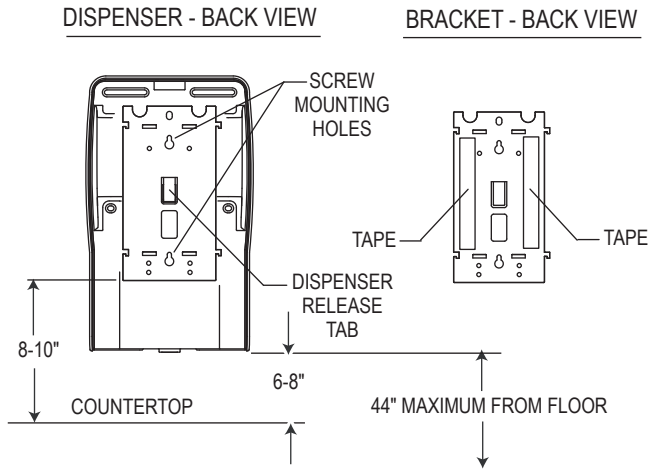
B. Dispenser Lock Installation

1. Choose lock option.
2. Insert lock into opening in top of cover.



C. Installation Instructions

Install dispenser using mounting bracket provided.
Note: Mounting should comply with ADA Guidelines. Compliance is the responsibility of the installer.



Installation with bracket and screws

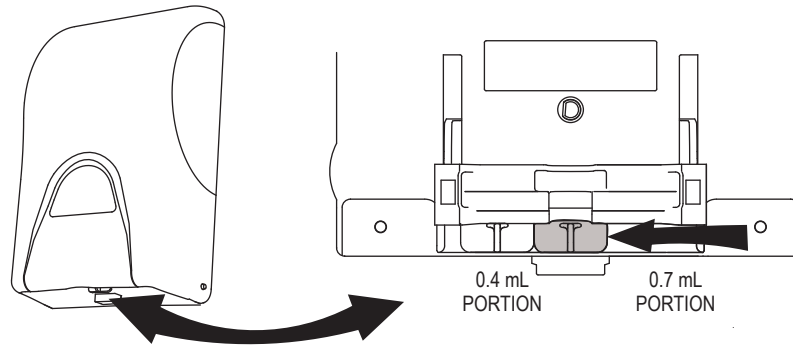
1. Position bracket and mark holes using bracket as a template.
2. Drill holes and attach bracket using appropriate anchors and screws.
3. Align dispenser on bracket and gently push downward until it clicks.
4. To remove, press dispenser release tab while lifting the dispenser upward.

Installation with bracket and tape

1. Clean bracket and mounting surface with alcohol pad.
2. Attach tape to bracket and position bracket on wall.
3. Press bracket firmly to wall for 30 seconds.

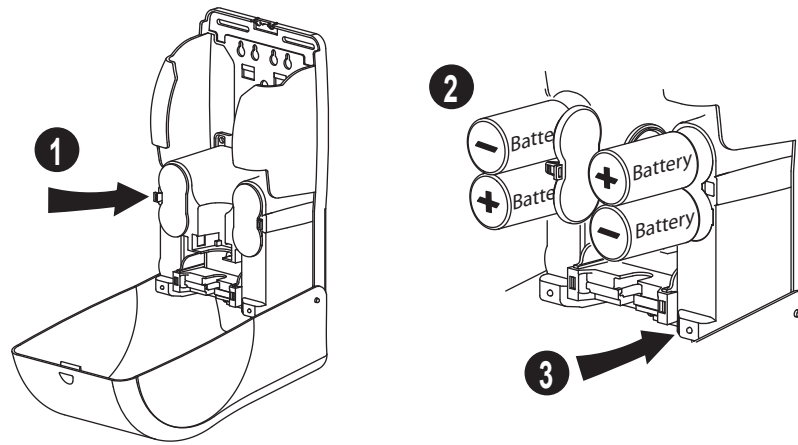
Caution - Wait 24 hours before attaching the dispenser.

D. Portion Control Adjustment



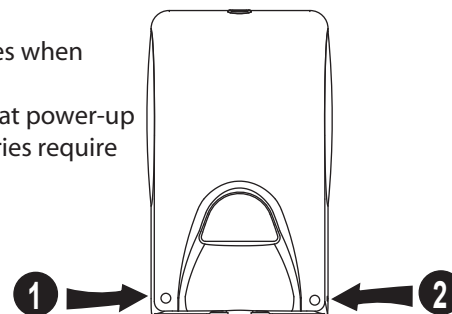
E. Battery Loading

1. Press finger tab and open battery covers.
 2. Install batteries as shown.
 3. Close battery covers. Right LED flashes on power-up.
- (Use only D size alkaline batteries)**



F. LED Light Function

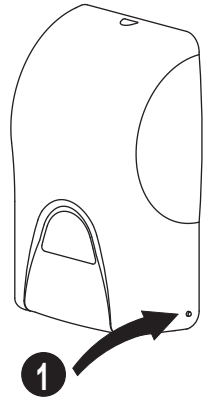
1. Operation Light: Illuminates when dispensing.
2. Low Battery Light: Flashes at power-up and is on solid when batteries require replacement.



G. Maintenance Mode

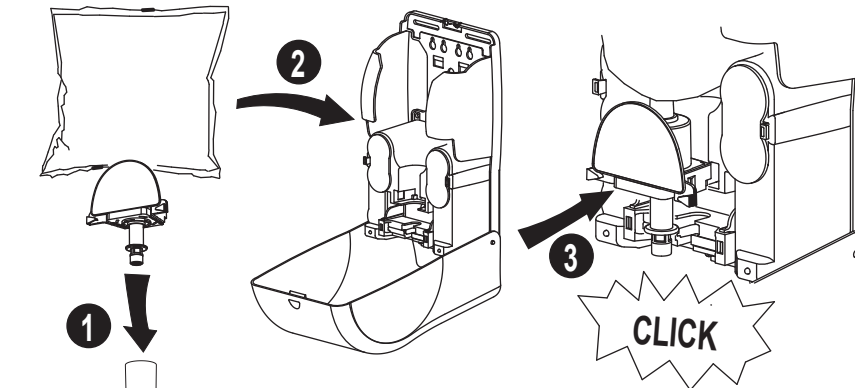
Dispenser can be set in maintenance mode for cleaning.

1. To set, press and hold the button located on side of dispenser. Hold until LED on left flashes indicating the dispenser is temporarily disabled. After 20 seconds the dispenser will automatically return to dispense mode.

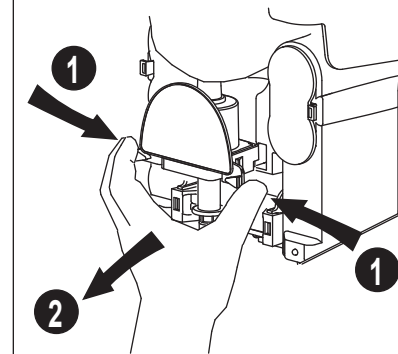


H. Refill Instructions

INSTALL



REMOVE



Use only with enMotion™ product refills.

Need Assistance?
Contact Georgia-Pacific at:
1-866-HELLO GP
(1-866-435-5647)
www.gppro.com