

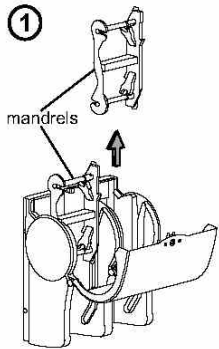
compact.

SKU # 56743,56744,56745

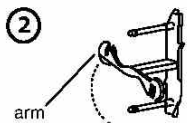
Compact Quad™ Vertical 4-Roll Tissue Dispenser
specification and mounting sheet



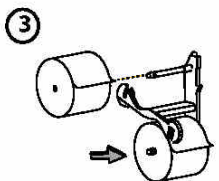
Loading Instructions



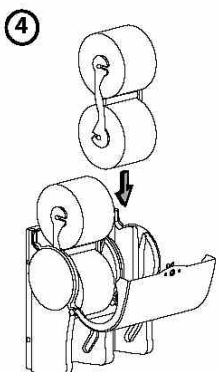
1. Open dispenser and remove mandrels



2. Rotate arm

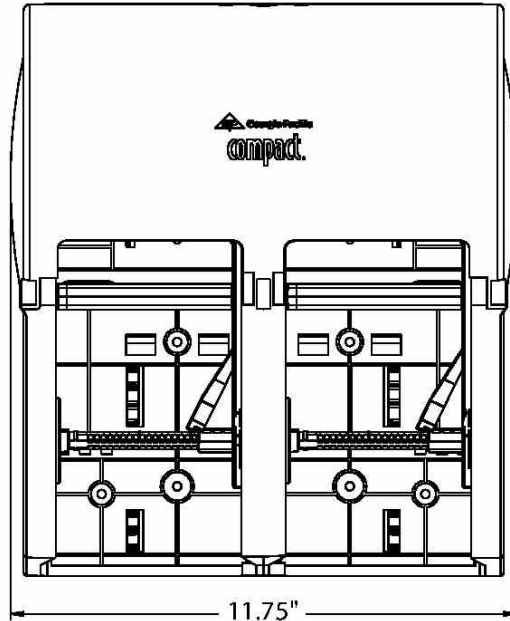


3. Replace rolls and rotate arm to original position

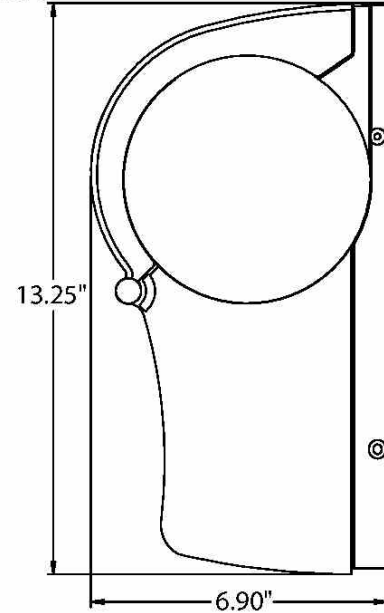


4. Return mandrel to dispenser, align mandrel with side rails

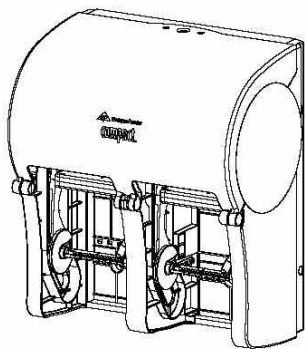
front



side



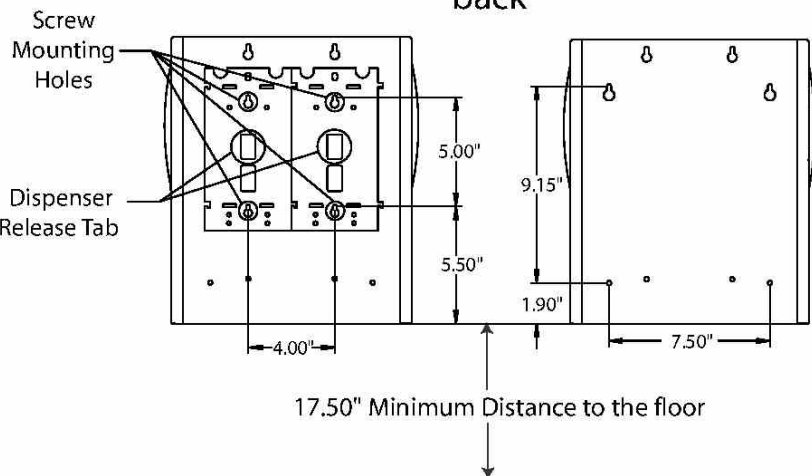
Dispenser Mounting



Using 54019 Mounting Bracket
(sold separately)

Wall Mounting without Bracket

back



Overall Dimensions:

Dispenser: 11.75" W x 13.25" H x 6.9" D

Overall Weight:

Dispenser: 4.1 lbs (1.9kg)

Capacity: 4 rolls of Compact® coreless bath tissue.

Specifications:

The cover is constructed of Acrylic plastic, the housing is constructed of ABS plastic. The interior components are constructed of Acetal plastic.

For questions or comments, please call
1-866-HELLO GP (435-5647)

©2008 Georgia-Pacific Consumer Products LP.
Compact® is a registered trademark of Georgia-Pacific Consumer Products LP. All rights reserved.

5/19/08 GP5022.0508