

Loading Instructions

- ①

mandrel

1. Open dispenser and remove mandrel
- ②

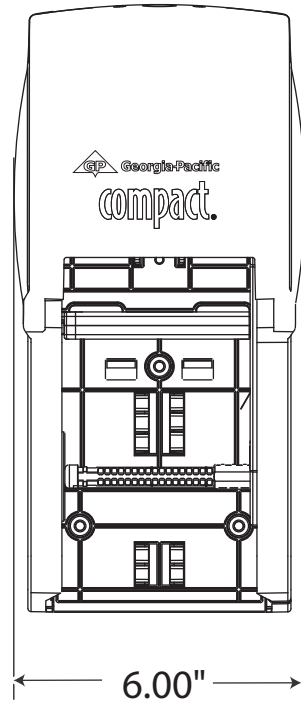
arm

2. Rotate arm
- ③

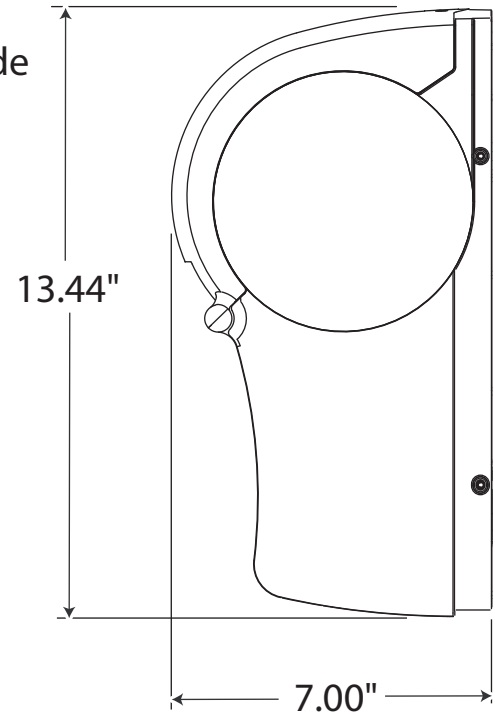
3. Replace rolls and rotate arm to original position
- ④

4. Return mandrel to dispenser, align mandrel with side rails

front



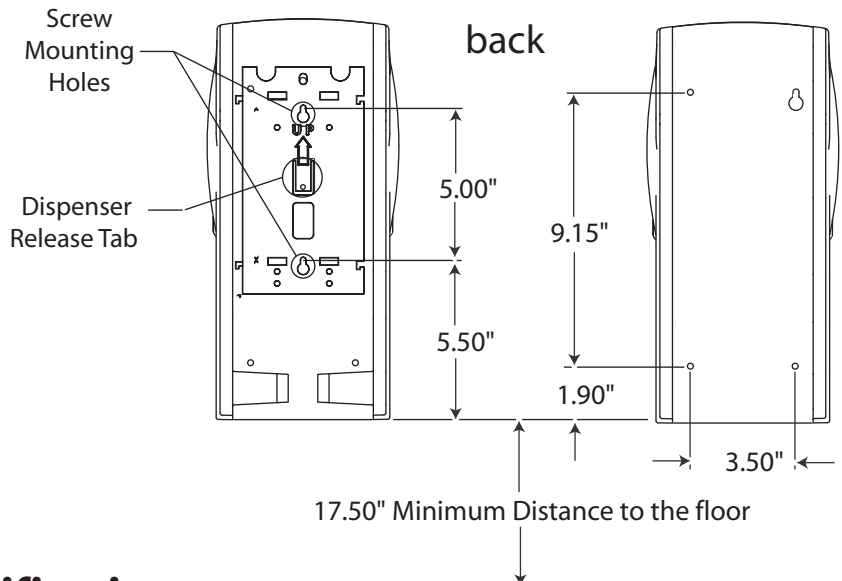
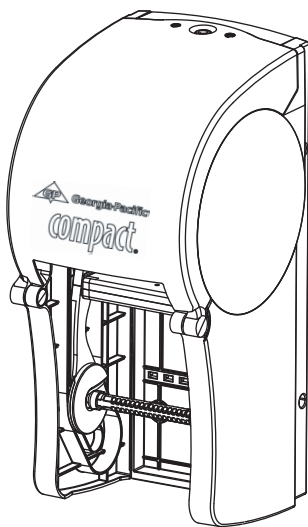
side



Dispenser Mounting

Using 54019 Mounting Bracket (sold separately)

Wall Mounting without Bracket



Overall Dimensions:

Dispenser: 6" W x 13.3" H x 7" D

Overall Weight:

Dispenser: 2.2 lbs (1.0kg)

Capacity: 2 rolls of Compact® coreless bath tissue.

Specifications:

The cover is constructed of Acrylic plastic, the housing is constructed of ABS plastic. The interior components are constructed of Acetal plastic.

For questions or comments, please call
1-866-HELLO GP (435-5647)