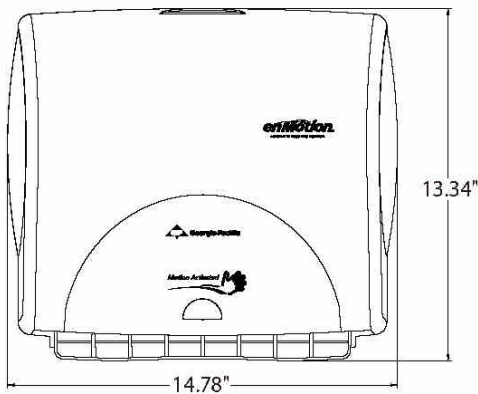
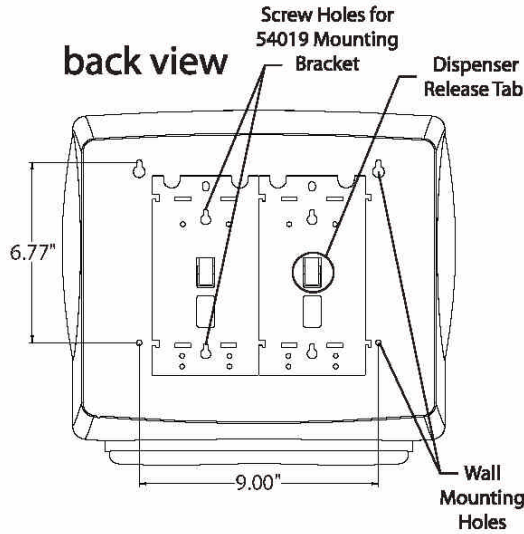


enMotion® Impulse™ 10 Towel Dispenser

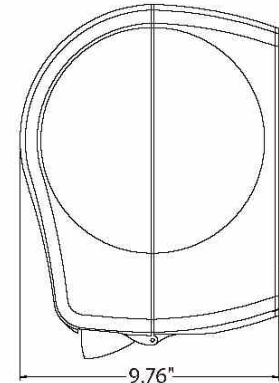
front view



back view



side view



The installation description and illustration herein are to serve as a guide. Georgia-Pacific reserves the right and does from time to time make changes and improvements in design, dimensions and subsequent installation instructions. Georgia-Pacific does not take responsibility for any damage, or injury to persons or property or any other incidental or consequential losses due to these installation instructions.

Georgia-Pacific recommends the use of a Professional installation service.

OPERATION

The Automated Towel dispenser runs on 4 D Cell alkaline batteries (included). The dispenser features 3 LEDs, from left to right, a low Paper indicator, a motor / sensor activation light and a low battery light. It has 2 dispensing modes: an on-demand, where a new sheet is presented when a hand waves in front of the sensor, and a hanging towel mode, where a new towel is dispensed as soon as a towel is removed from the dispenser. This dispenser also features adjustable settings for paper length, and sheet delay. For more details, see the enMotion® Impulse™ 10 Automated Towel dispenser instruction manual included with the unit.

SPECIFICATIONS

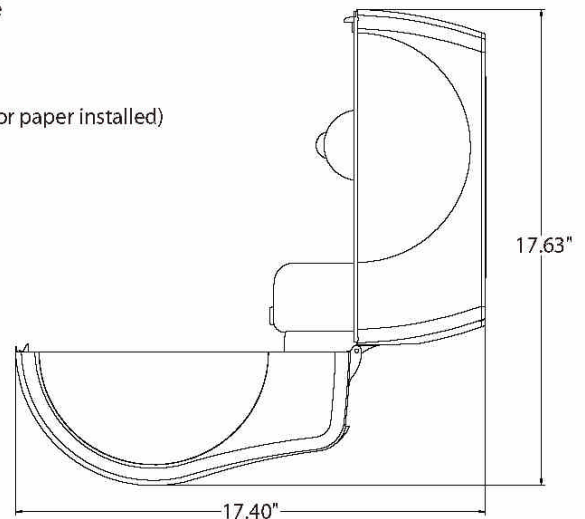
The Cover and Back housing are constructed of plastic.

Weight:

6.25 Pounds (without batteries or paper installed)

Dimensions:

13.34"H x 14.78"W x 9.76"D



side view - cover open

INSTALLATION

When mounted directly into a wall, the unit is mounted using #10 self-tapping screws. Many possible methods can be used to mount the dispenser, given the wide variety of stud configurations behind the wall. The enMotion® Impulse™ 10 Automated Towel dispenser has Mounting holes on both sides of the backplate and directly in the rear of the unit.

For questions or comments, please call
1-866-HELLO GP (435-5647)