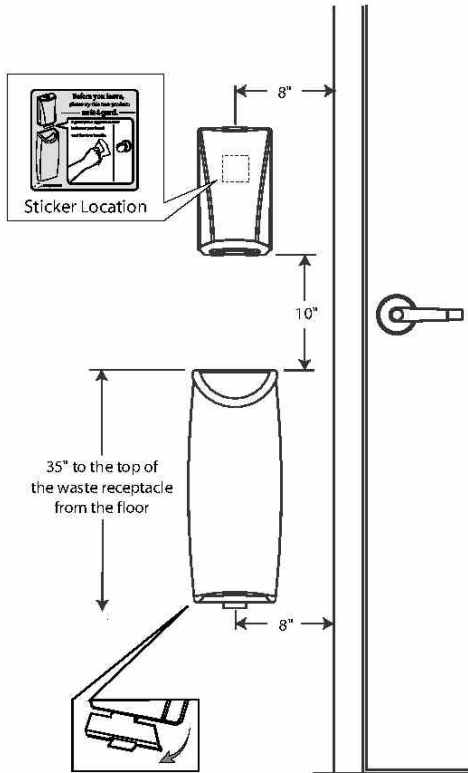
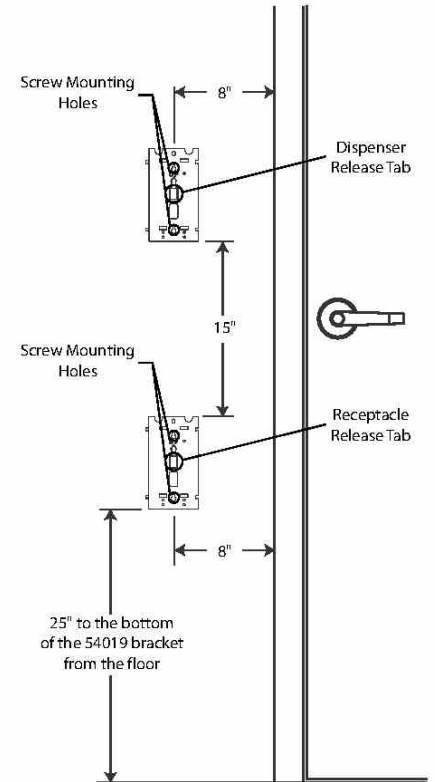
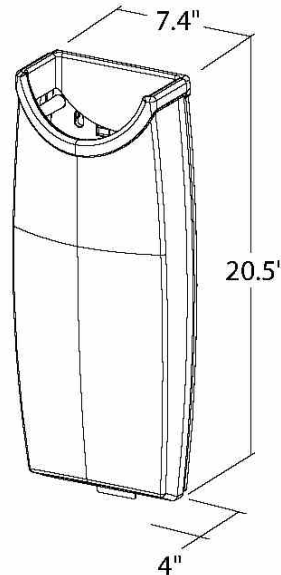
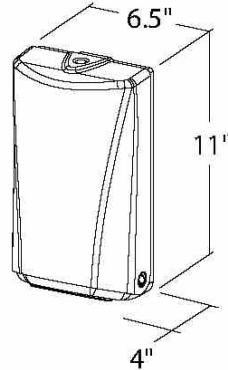


## Safe-T-Gard™ Dispenser specification and mounting sheet



When liner is not used, pull release tab located on the bottom of trash can to empty waste

Dispenser Location



54019 Mounting Bracket Location

### Overall Dimensions:

Dispenser: 6.5"W x 11"H x 4"D  
 Receptacle: 7.4"W x 20.5"H x 4"D

### Overall Weight:

Dispenser: 1.0 lbs. (436 g)  
 Receptacle: 2.2 lbs. (997 g)

### Capacity:

The dispenser accepts two full packages of Georgia-Pacific SKU #10440 Safe-T-Gard™ tissue. The dimensions of the tissue are 4" W x 10" L. The capacity of the waste receptacle is approximately 2.1 gallons.

### Specifications:

The dispenser and waste receptacle are constructed of low maintenance, impact resistant polymer materials. Georgia-Pacific SKU #54019 mounting bracket is the recommended method of mounting the dispenser and waste receptacle to the wall, and is included with each dispenser.

The mounting bracket has a release tab that allows the dispenser and waste receptacle to be removed from the wall for easy cleaning and emptying of waste. There is a decorative waste liner retainer included with the waste receptacle. This retainer allows a standard 12-16 gallon waste liner to be used with the dispenser.

For questions or comments, please call  
 1-866-HELLO GP (435-5647)

**Warning:** Safe-T-Gard™ is intended to be mounted only beside the door. Placement on the door itself may subject the user to liability for infringement of United States Patent 6,508,383; Lidahl, et al. Door Sanitation System, January 21, 2003.