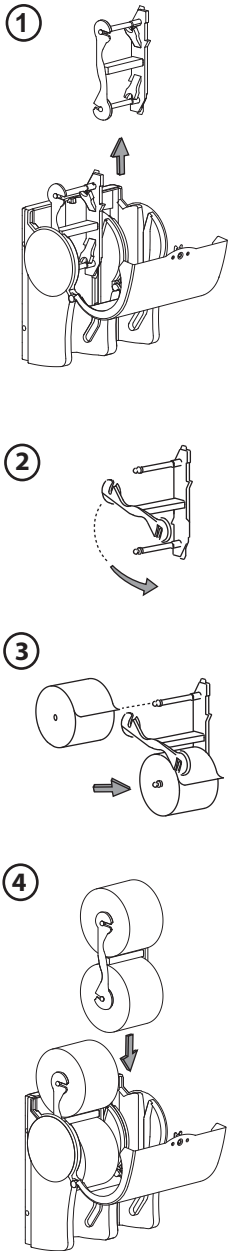




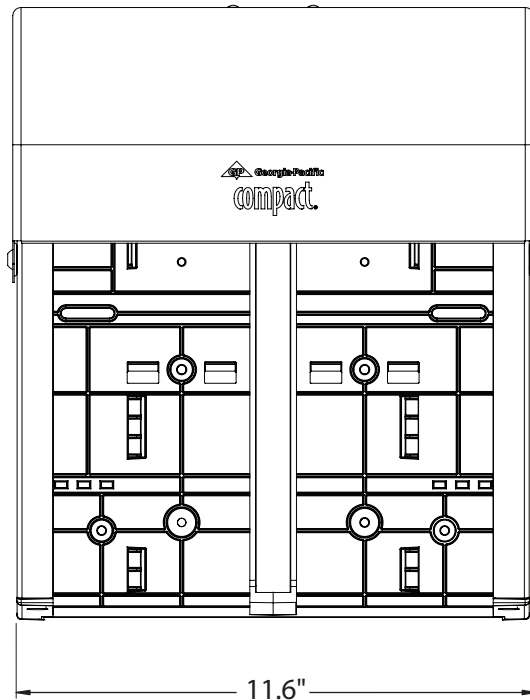
# Compact Quad™ Stainless Steel Tissue Dispenser specification and mounting sheet



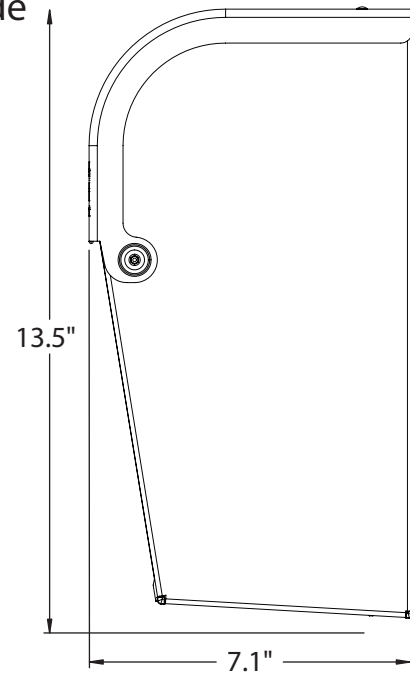
## Loading Instructions



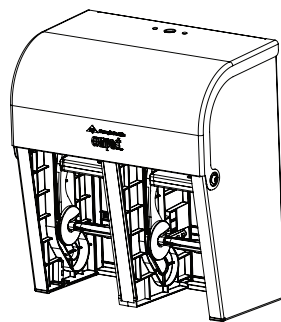
front



side



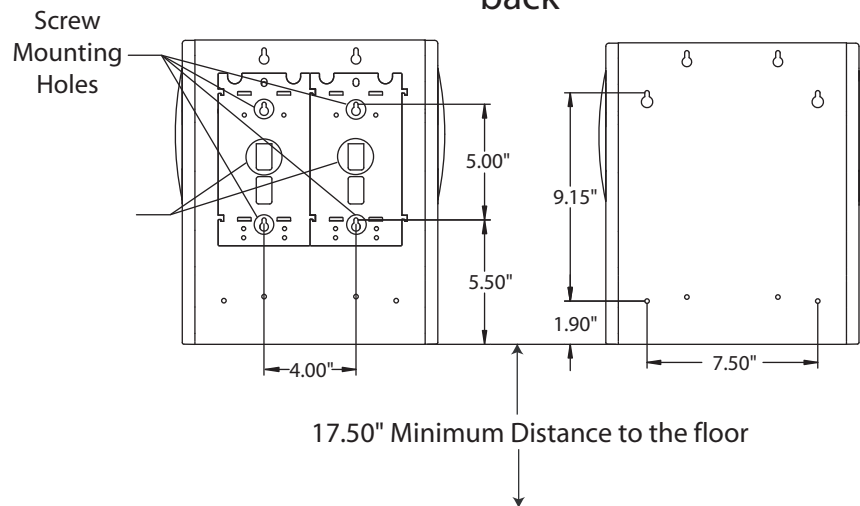
## Dispenser Mounting



Using 54019 Mounting Bracket  
(sold separately)

Wall Mounting without Bracket

back



### Overall Dimensions:

Dispenser: 11.6" W x 13.5" H x 7.1" D

### Overall Weight:

Dispenser: 6.0 lbs (2.7kg)

### Capacity: 4 rolls of Compact®

Coreless Tissue.

For questions or comments, please call  
1-866-HELLO GP (435-5647)